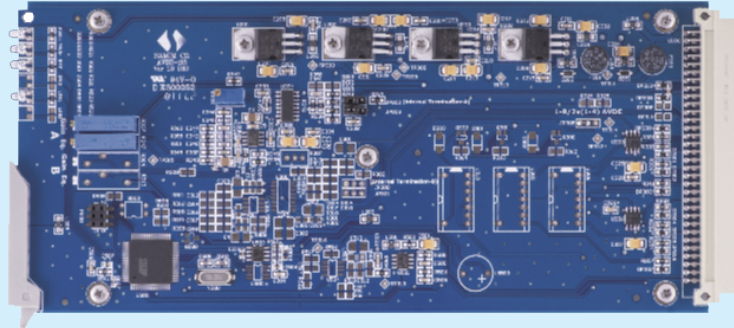


AVD-0318

HD/SD Analog Video Distribution
Amplifier with Passive Loop

2024 Datasheet



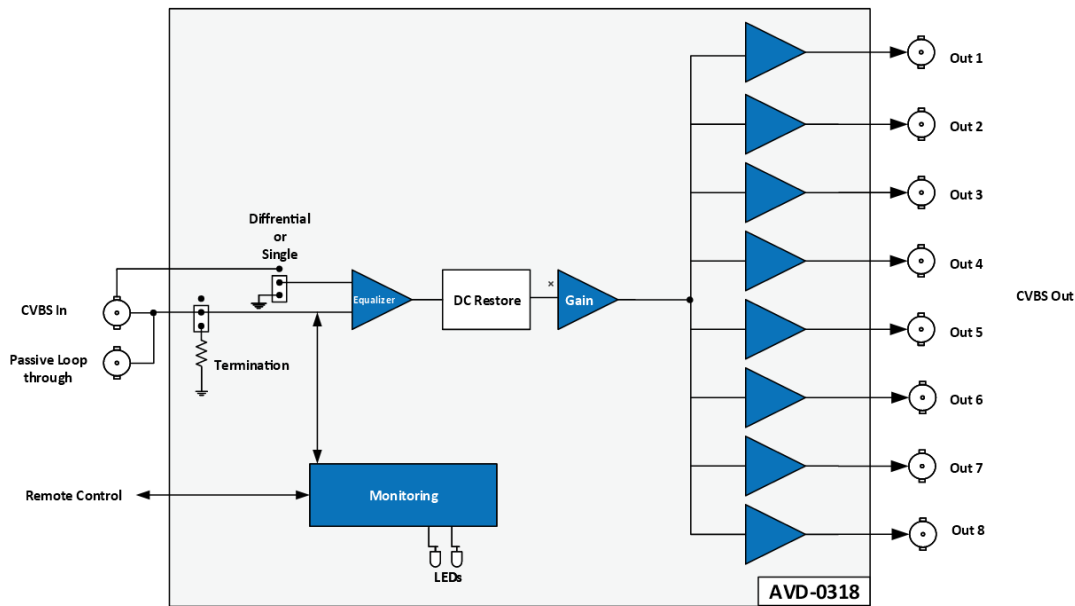
The AVD-0318 is an analog video distribution amplifier with cable equalization and eight outputs. This module provides single-ended input with passive loop-through. The AVD-0318 has been designed in compliance with ITU-R BT.470-6 and can be installed in the Samim 3RU and 1RU frames. Gain control, DC offset removal, and equalizer are the key capabilities of the module.

All adjustments can be applied using onboard jumpers and potentiometers. The web-based user interface can be used for monitoring purposes. The LED indicators on the front edge of the module also inform the user about the operational status of the module.

Key Features

- Eight amplified outputs
- 75 Ω or high impedance input (jumper selectable)
- Bi-level and Tri-level reference signal support
- Wideband and flat frequency response
- Gain adjustment
- DC offset control
- LED status indicators
- Web-based user interface

Block Diagram



System Requirements

Type	Product	Description
Frame	SRM-0645	1RU Frame with Controller
	SRM-0655	3RU Frame with Controller

Ordering Information

Order Code	Description	Type
AVD-0318	HD/SD Analog Video Distribution Amplifier	Main Board
AVD-0318-3DRP	Back-panel for AVD-0318 (compatible with SRM-0655)	Back Panel
AVD-0318-1DRP	Back-panel for AVD-0318 (compatible with SRM-0645)	Back Panel
AVD-0318-3SRP	Single Slot Back-panel for AVD-0318 (compatible with SRM-0655) Only x5 outputs are available, without passive loop output	Back panel

With over two decades of extensive experience in the broadcast and media industry, Samim Group has emerged as a rapidly growing manufacturer and developer of professional-grade hardware and software solutions that cater to Broadcast Production Infrastructure, Intercom Systems, and Media Business Automation. We remain attuned to the latest technological advancements, ensuring we deliver high-standard solutions and products that can be marketed globally.

©Samim Group. All rights reserved. Specifications are subject to change without notice.



✉ sales@samimgroup.com
🌐 www.samimgroup.com